

HV Metering Units



ENGINEERING BRILLIANT SOLUTIONS

Air Insulated Metering Unit - AMU



Design

The AMU is designed for use with the latest Sabre VRN2a (250A) and VRN6a (400/630A) Ring Main Units, but is also compatible with the full Sabre RMU family, including the extensible units.

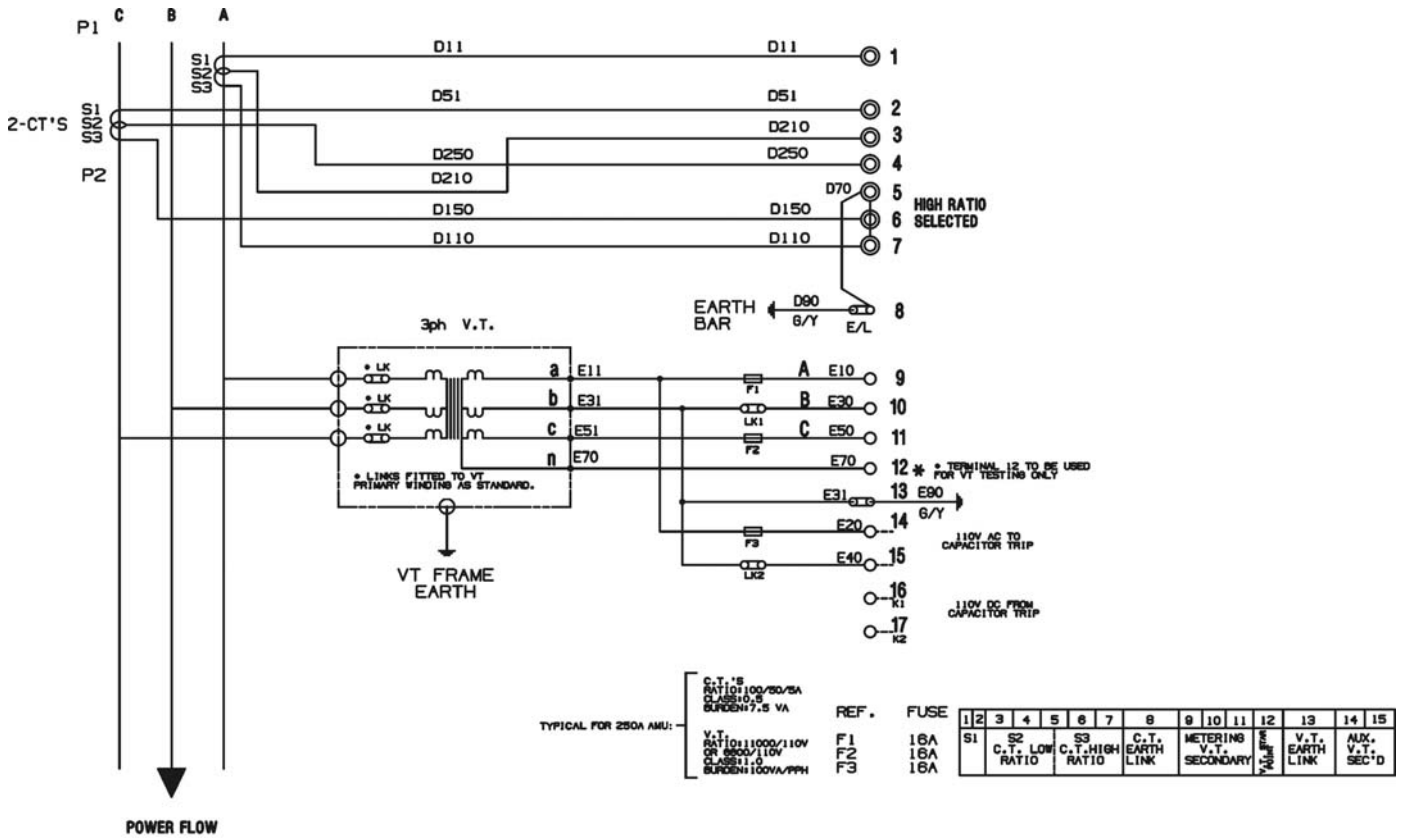
Key Features

- Compact and lightweight design
- Up to 12kV, 95kVp
- Up to 630A
- Indoor or outdoor application
- Can be supplied as an RMU/AMU combination
- VT isolation as standard for HV testing
- Dual VT and CT ratios available

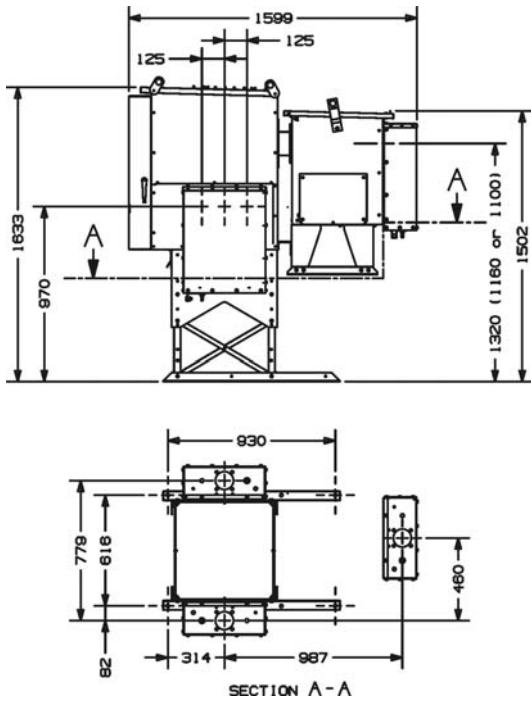
Mounting Options

- RMU T-off Connected (TC) – the AMU is directly connected to the RMU via a standard E-type flange connection
- Busbar Connected (BC) – the AMU is directly or cable connected to the ring side of the RMU. Common frame available
- Free Standing (FS) – the AMU has an incoming and outgoing cable box

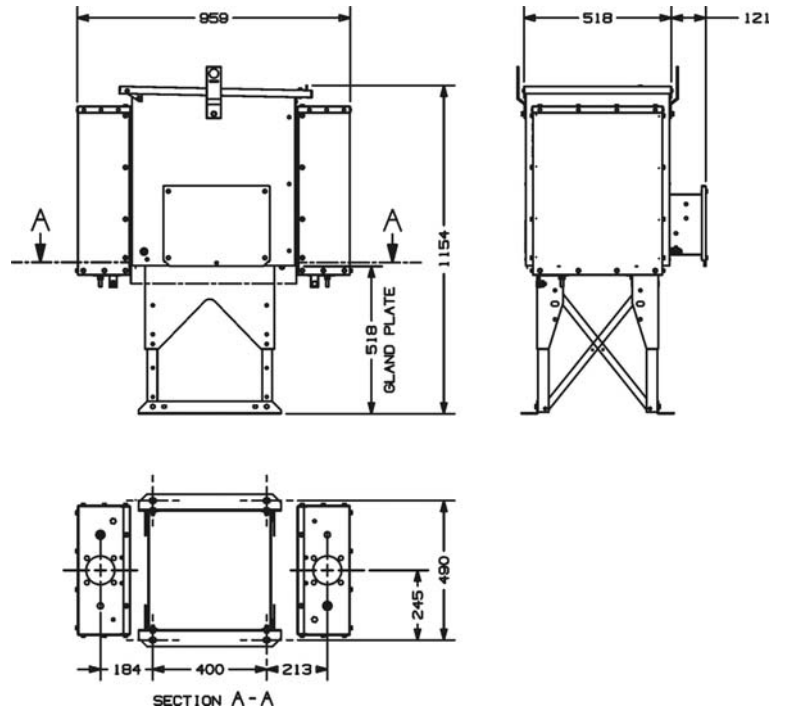
Typical Wiring Schematic



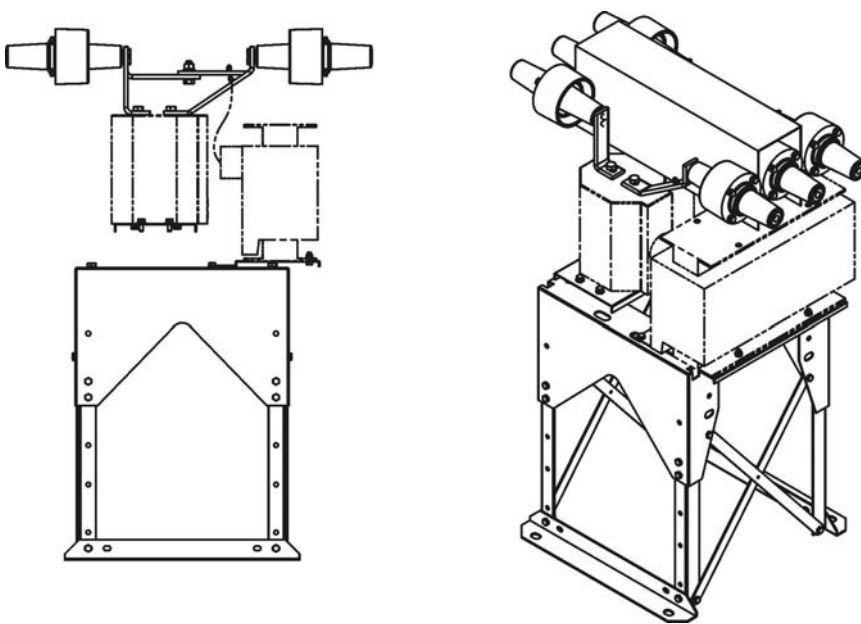
Combination Unit: RMU & AMU2-TC



Free Standing: AMU6-FS



AMU Internal Views



Technical Data

AMU	
Voltage	Up to 12kV
Normal Current Rating	250/400/630A
3 Second Short Time Current	Up to 20kA (CT short time current requirement to be supplied by customer)
Impulse Level	75/95kVp
Power Frequency	28/38kV, 1 min
Voltage Transformer	3-phase with ratio/class/burden to specification
Current Transformers	2 single wound primaries, ratio/class/burden to specification
Typical Weights (Free Standing)	
AMU2	220kg
OMU2	310kg with oil (210kg without oil)
OMU4	370kg with oil (270kg without oil)
AMU - All Bushings	400 series (type c)

Selection Guide

Type	RMU Range	Insulation	Rating (A)	Connection			Cable Boxes	
				RMU T-off	Busbar*	Free Standing	Incoming	Outgoing
AMU2/4/6- TC	SABRE	Air	250/ 400/ 630	✓	-	-	-	✓
AMU6- BC	SABRE	Air	630	-	✓	-	-	-
AMU2/4/6- FS	SABRE	Air	250/ 400/ 630	-	-	✓	✓	✓
OMU2- TC	TRIDENT	Oil	200	✓	-	-	-	✓
OMU2- FS	TRIDENT	Oil	200	-	-	✓	✓	✓
OMU4- BC	TRIDENT	Oil	400	-	✓	-	-	-
OMU4- FS	TRIDENT	Oil	400	-	-	✓	✓	✓

AMU – Air Insulated Metering Unit
BC – Busbar Connected

OMU – Oil Insulated Metering Unit
FS – Free Standing

TC – T-off Connected
RMU – Ring Main Unit

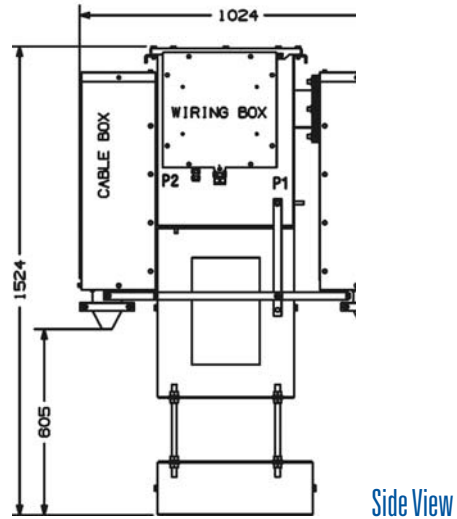
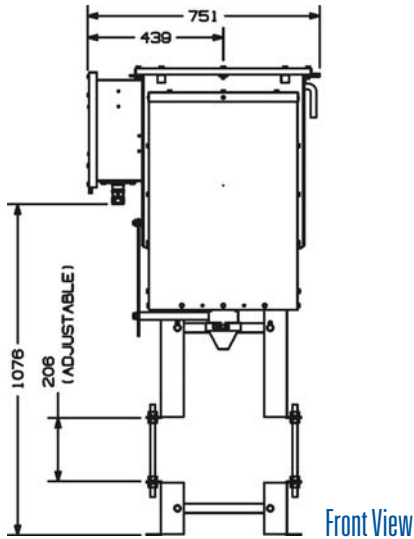
*LH or RH

Additional Options

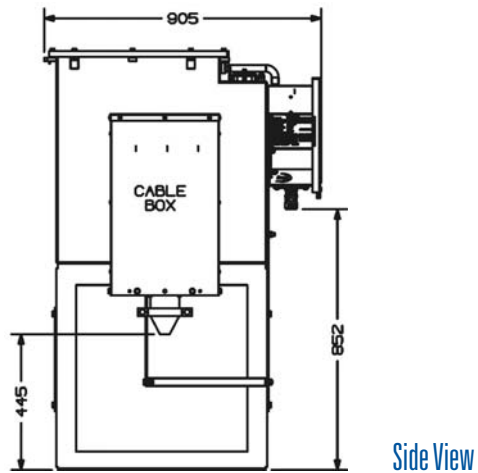
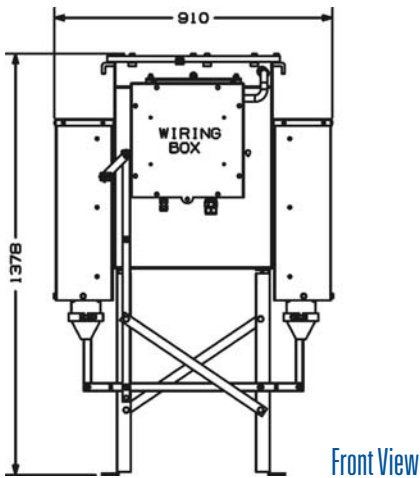
- Marshalling Box options:
 - Can include meters within larger Marshalling Box
 - Either left-hand or right-hand mounting
 - Trip-lock out relay for RMU/AMU combinations where emergency tripping required
- Cable Boxes and Gland Plates:
 - Single core cable arrangement – short 450mm cable box
 - 3-core cable arrangement – long 630mm cable box
 - For voltages above 12kV and 'special' Transformer/Current Transformer (VT/CT) configurations, refer to the oil metering unit range. This includes all 5-limb Voltage Transformer (VT) requirements

Oil Insulated Metering Units - OMU's

OMU2-TC



OMU4-FS



Lucy Switchgear
 Howland Road, Thame, Oxfordshire, OX9 3UJ, UK
 tel: +44 (0)1844 267267 fax: +44 (0)1844 267223
 email: sales@lucyswitchgear.com

Lucy Middle East
 PO Box 17335, Jebel Ali, Dubai, United Arab Emirates
 tel: +9714 812 9999 fax: +9714 812 9900
 email: sales@lucyme.ae

The Saudi Lucy Company Ltd
 PO Box 834, Al-Khobar, 31952, Saudi Arabia
 tel: +966 3 8823057 fax: +966 3 8822553
 email: info@saudilucy.com



www.lucyswitchgear.com

LS00001 TECH AMU 06 2007 (1000)