

Single Phase Fuse Handles

200A 400A 600A rated

▶ Overview and presentation

- Fuse handles fitted with wedge type clamping mechanisms for retention of BS 88 J type slotted tag fuses



400A version, 82mm centres

▶ Features

- Fine thread thumb screw for close control of fuse tag compression
- Apertures provided for test probe access
- Shroud shape designed to optimize Operator protection
- Through grip handle on 400A and 600A sizes to facilitate manipulation
- Brass wedges ensure reliability of performance throughout product life

Note: The equipment described on this data sheet must be installed by suitably qualified personnel according to applicable Local/ National Wiring regulations currently in force.

Single Phase Fuse Handles

200A 400A 600A rated



Construction materials

- Cover.....Glass filled polybutylene terephthalate (PBT)
- Thumb screw handles.....Polyamide 6
- Wedge contacts..... Brass
- Pan-headed fuse tang screw.....Passivated mild steel



Performance data

- Rated voltage.....415 V a.c.
- Rated current.....As per fuse rating
- Flammability rating.....UL94 VO self - extinguishing 30 seconds at 960 degrees C
- Operator protection.....IP 2X (when used in conjunction with Lucy Switchgear fused equipment)



Conformity to Standards

- IP rating to BS EN 60592
- Accept J type slotted tag fuses conforming to BS 88



Weights (excluding fuse)

- 200A handle THM0006414.....0.25kgs
- 200A Link box THM0006402.....0.29kgs
- 400A handle THM0006373.....0.35kgs
- 600A handle THM0006376.....0.38kgs

Single Phase Fuse Handles

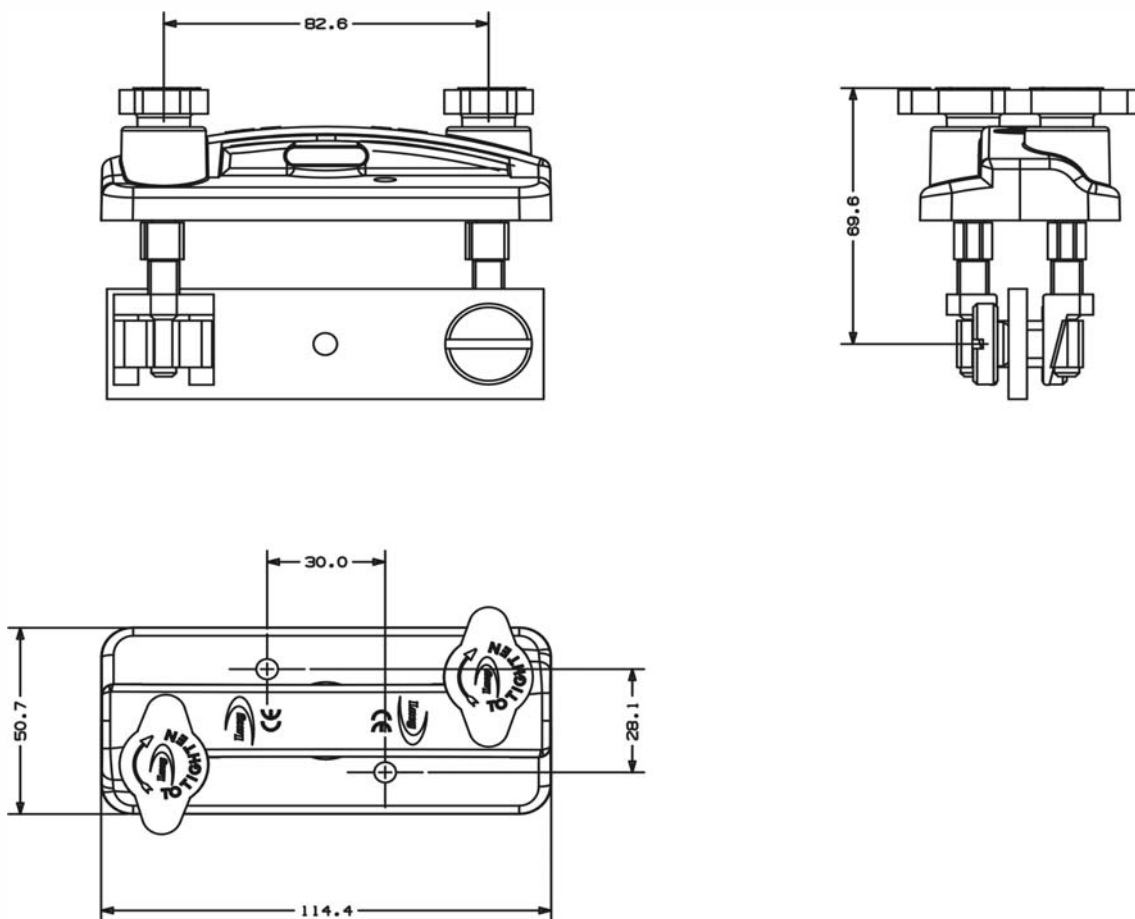
200A 400A 600A rated

▶ General arrangement including dimensions (mm)

200A Fuse handle Part No THM000641482mm centres

200A Fuse link box handle Part No THM000640282mm centres

THM0006414

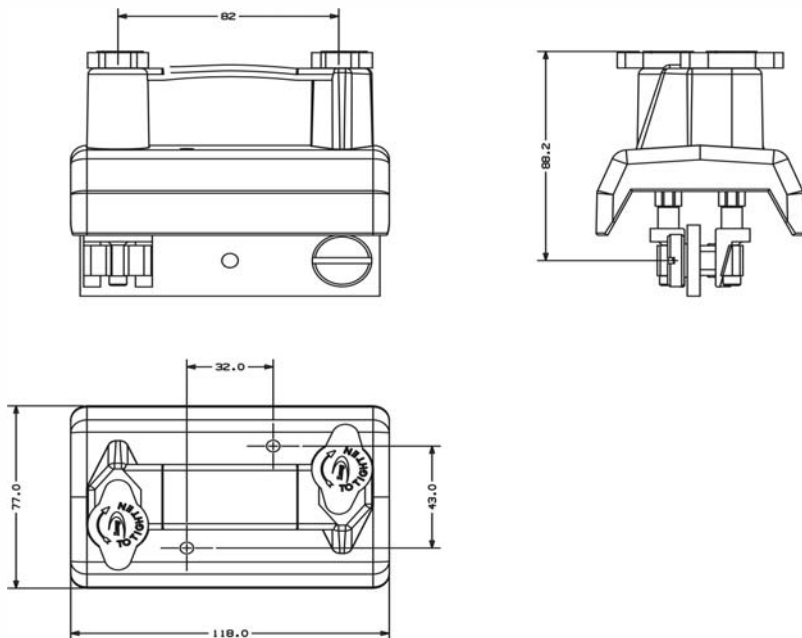


Single Phase Fuse Handles

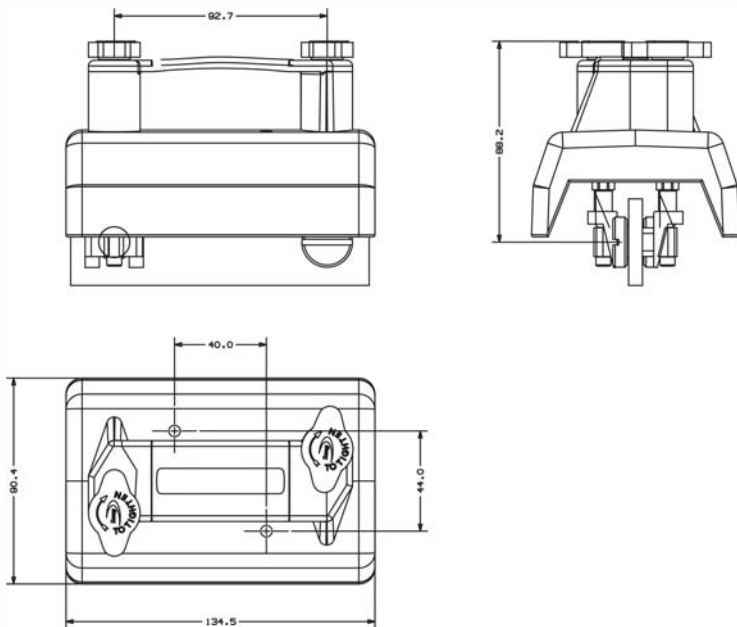
200A 400A 600A rated



400A Fuse handle Part No THM0006373..... 82mm centres



600A Fuse handle Part No THM0006376 92mm centres



Disclaimer

Lucy Switchgear has a policy of continuous research and development and accordingly reserves the right to change the design and specifications of its products without prior notice or liability.

Lucy Switchgear

Howland Road, Thame,
Oxfordshire, OX9 3UJ, UK
Tel: +44 (0) 1844 267267
Fax: +44 (0) 1844 267223
Email: sales@lucyswitchgear.com

Lucy Middle East

PO Box 17335, Jebel Ali,
Dubai, United Arab Emirates
Tel: +9714 883 2110
Fax: +9714 883 2113
Email: sales@lucyme.ae

The Saudi Lucy Company Ltd

PO Box 834, Al-Khobar,
31952, Saudi Arabia
Tel: +966 3 8823057
Fax: +966 3 8822553
Email: info@saudilucy.com

